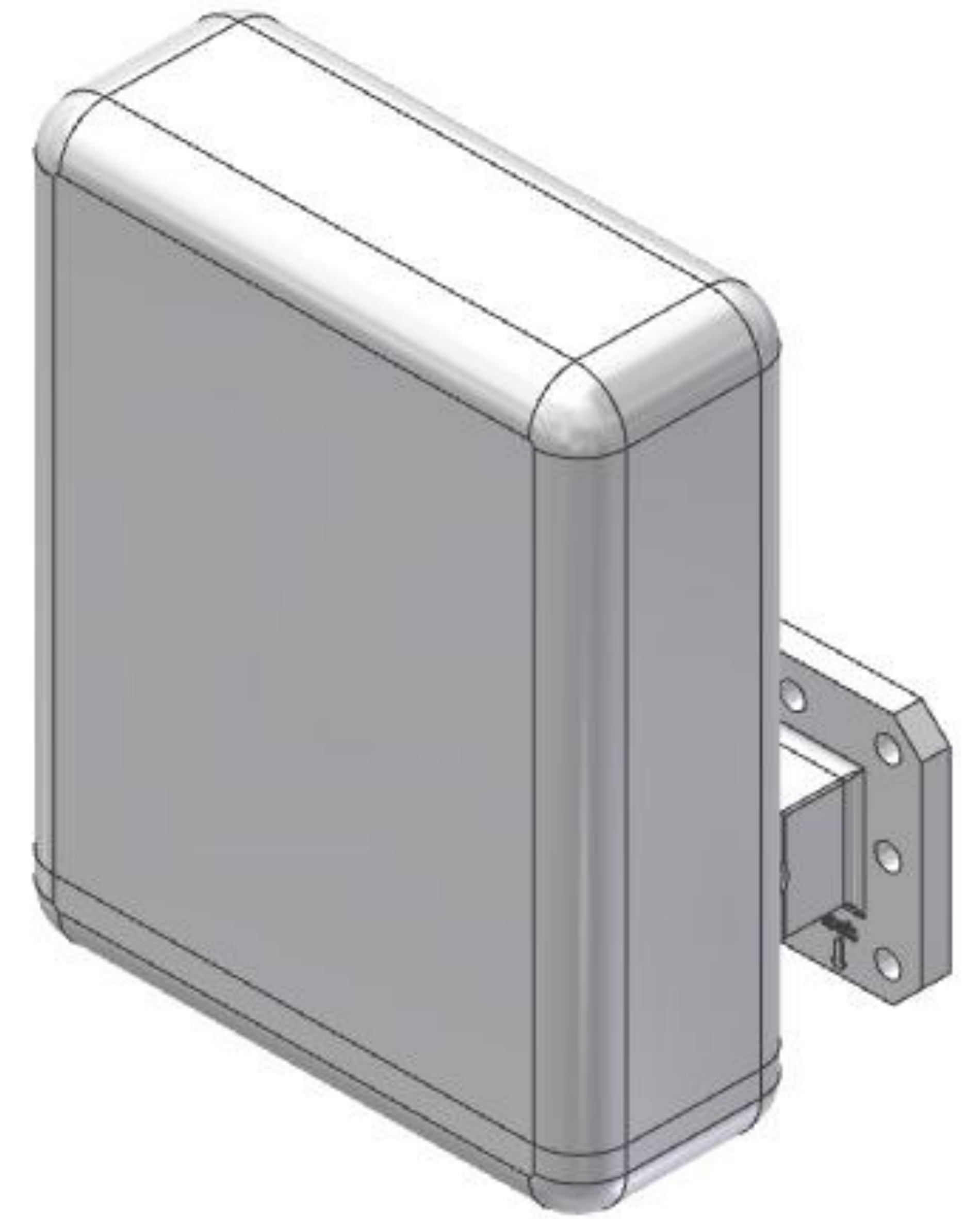


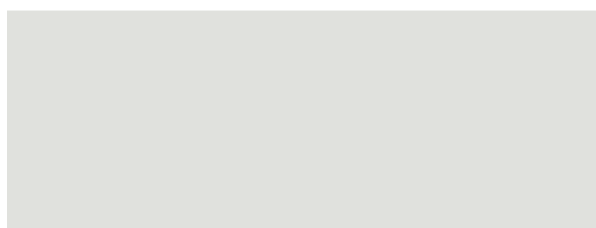

CELL & IMT Patch Antenna

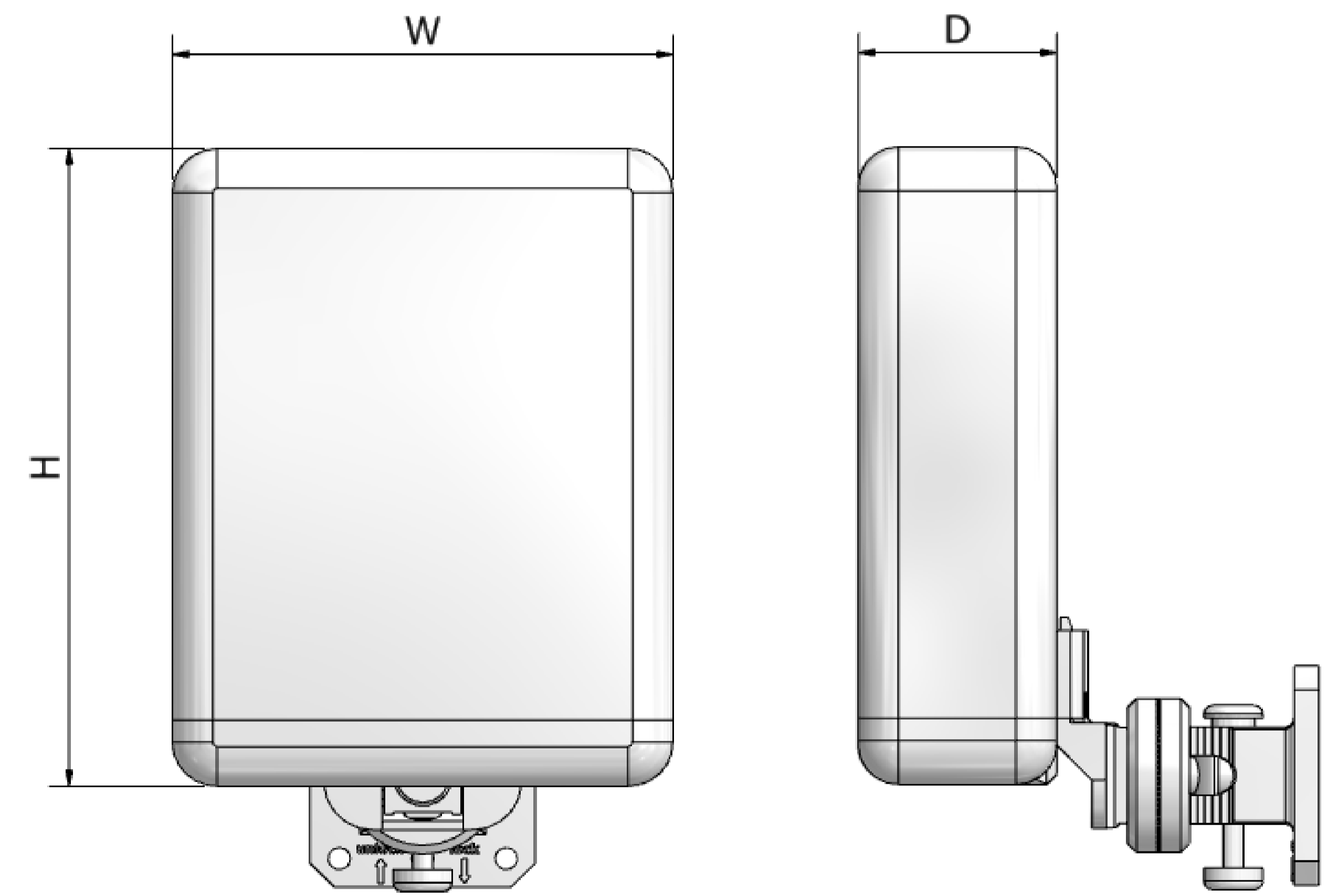
824 ~ 894, 1920 ~ 2170 MHz / 8 dBi

CI-CPB-058

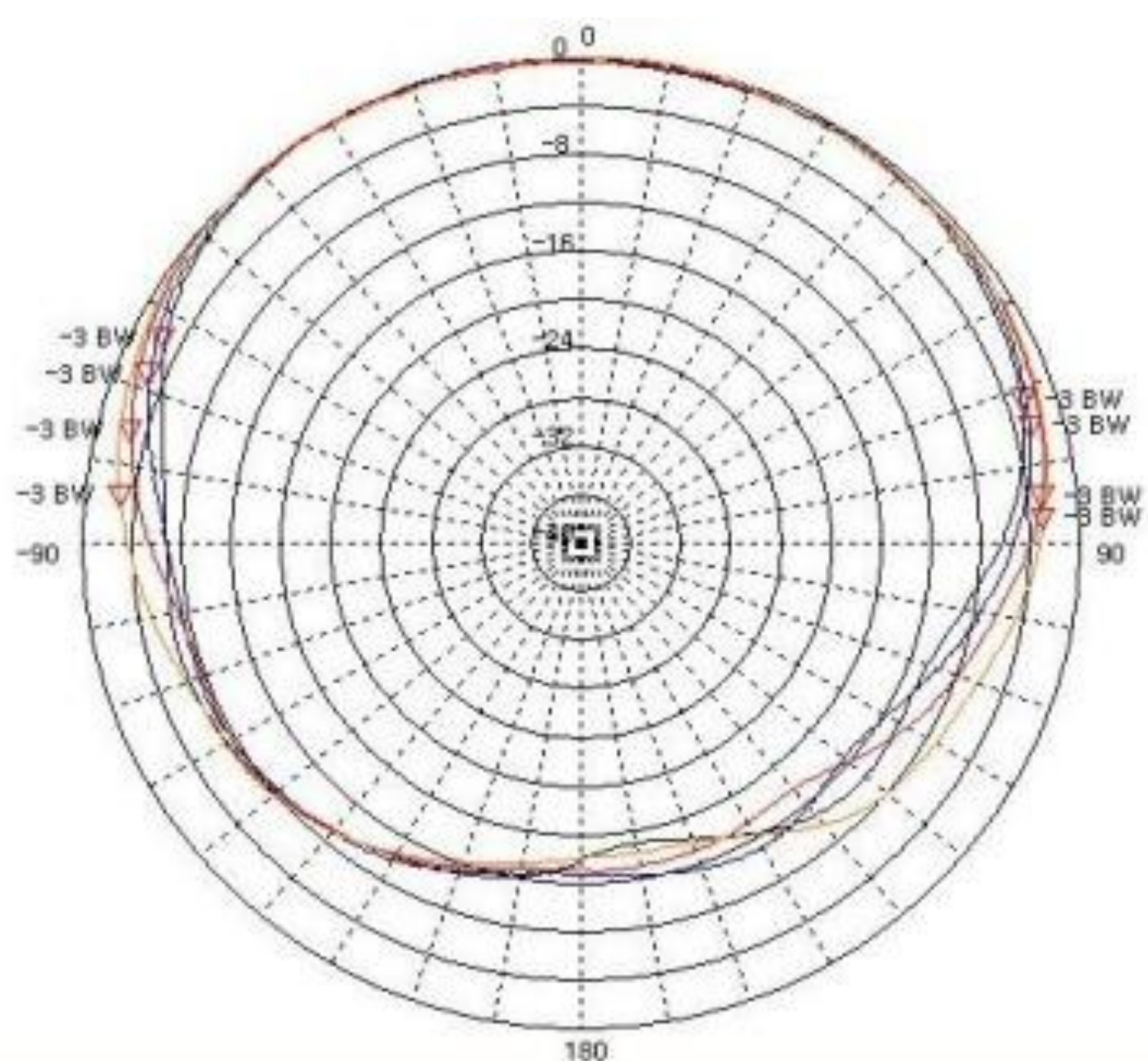
i. Electrical Specification		
Frequency Range	824 ~ 894 MHz	1920 ~ 2170 MHz
Polarization	Vertical	Vertical
Band Width	70 MHz	250 MHz
Gain	≥ 5 dBi	≥ 8 dBi
Beam width	Horizontal	≥ 85°
	Vertical	≥ 70°
F-B ratio	≥ 7 dB	≥ 13 dB
VSWR	≤ 1.5 : 1	
Impedance	50 Ω	
Maximum input power	1 W @ CDMA , WCDMA Only	



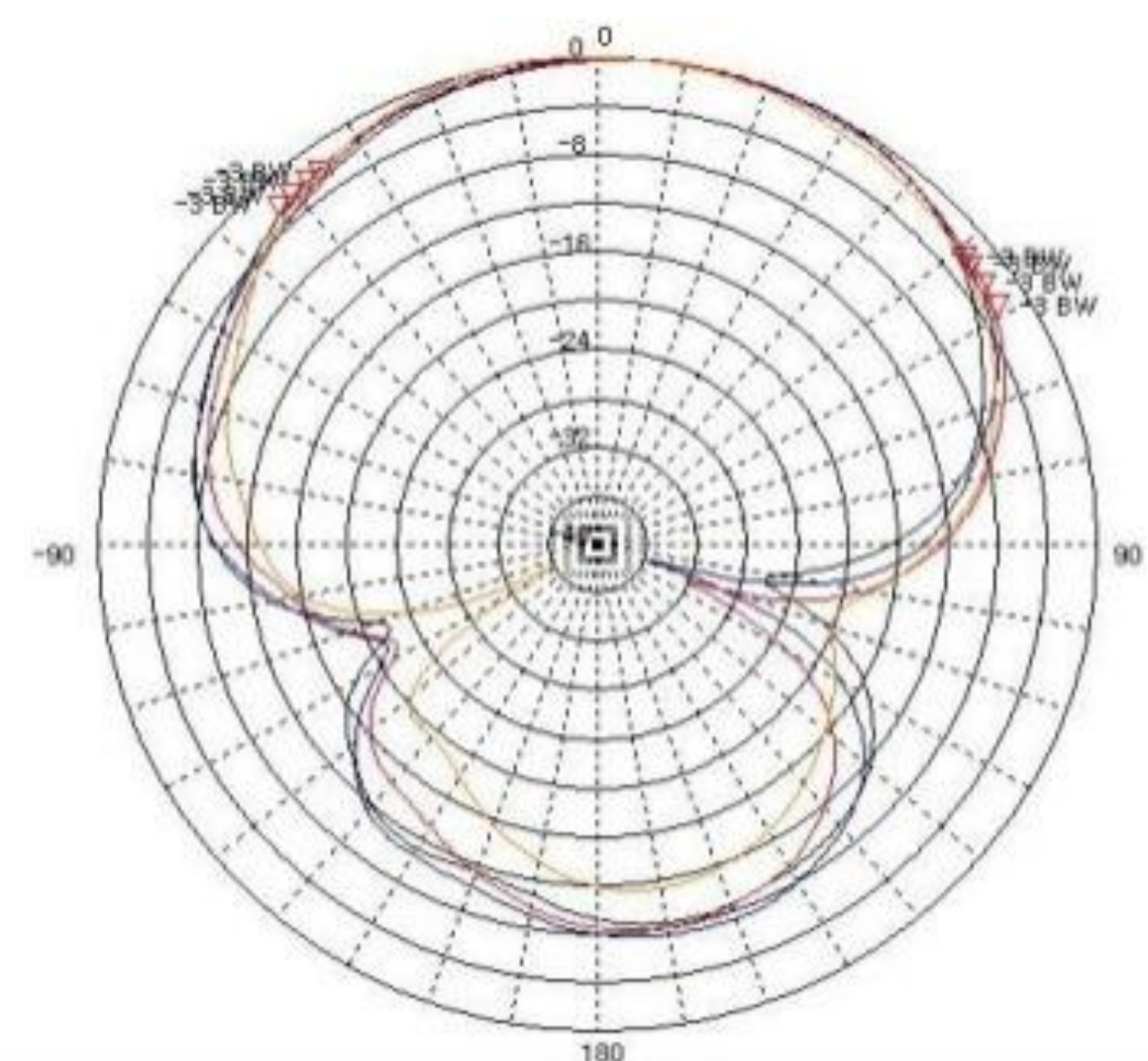
ii. Mechanical Specification	
Radom Dimension (H x W x D)	145 x 111 x 44 mm
Weight (Include bracket)	≤ 500 g
Connector Type	SMA-Female
Withstand Wind Pressure	60 m/sec
Radome Material	ABS, ASA
Radome Color	 Cool Gray 1C  Cool Gray 4C
Mechanical Down Tilt	Up, Down ± 25°
	Left, Right ± 30°
Temperature	-40 °C ~ 70 °C
Packing Size (H x W x D) 5SET	-
Packing Weight 5SET	-



iii. Radiation Pattern

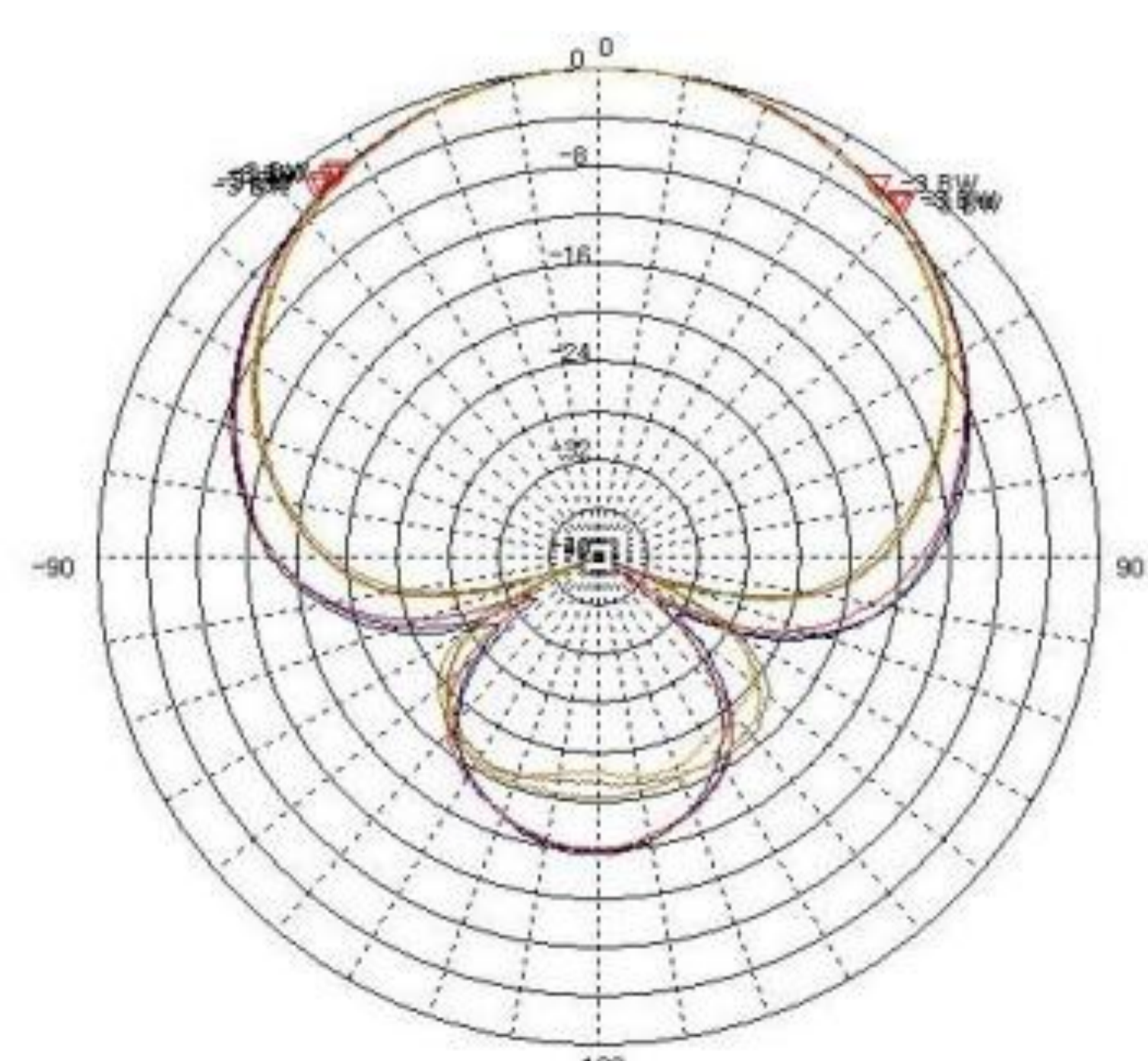


Horizontal Pattern

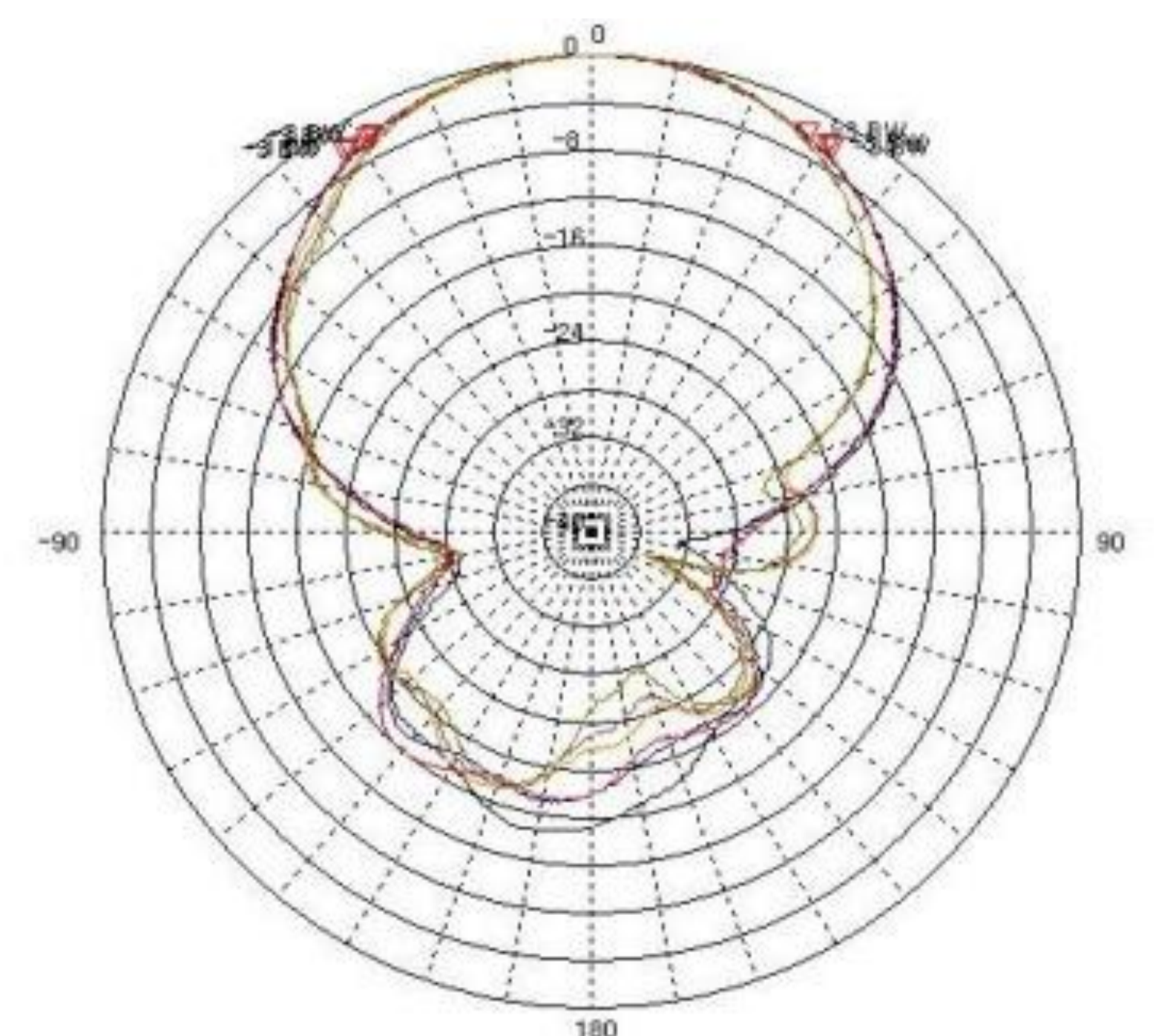


Vertical Pattern

Low Band



Horizontal Pattern



Vertical Pattern

High Band